

Quote Request



New Haven BORDER

New Haven BORDER Available Mosaic and Waterjet Cut

Company Name: _____ Phone: _____

Your Name: _____ Fax number: _____

Date: _____ P.O. number: _____

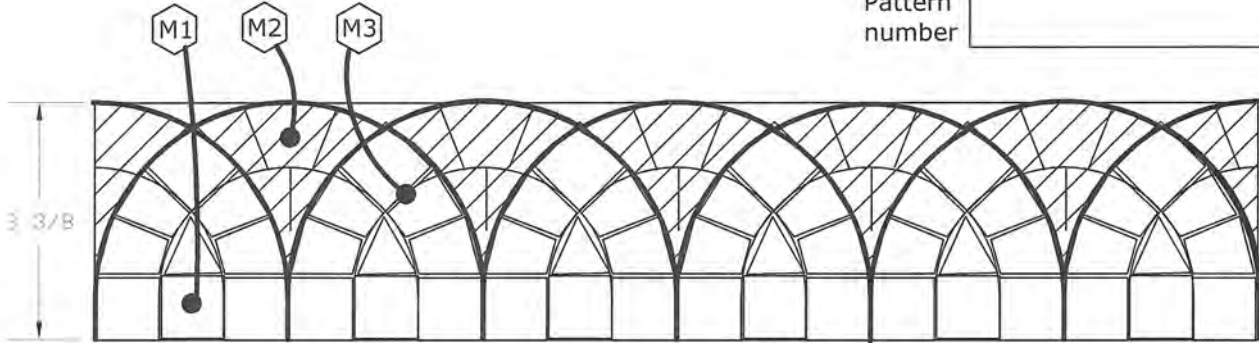
M1 Material _____ Pol Hon Tum

M2 Material _____ Pol Hon Tum

M3 Material _____ Pol Hon Tum

Special Requests: _____

Pattern number _____



Mosaic version shown, Also available in Waterjet Cut solid pieces.

Linear Footage Required: _____ NOTE: We will calculate the number of meshed units for you

Price Quoted

Your Cost per
Linear Ft. \$

Date: _____

Customer Service Phone 914-654-0489 Fx 914-654-9033

Quote Request



Puzzle BORDER

Puzzle BORDER Waterjet Cut solid pieces

Company Name: _____ Phone: _____

Your Name: _____ Fax number: _____

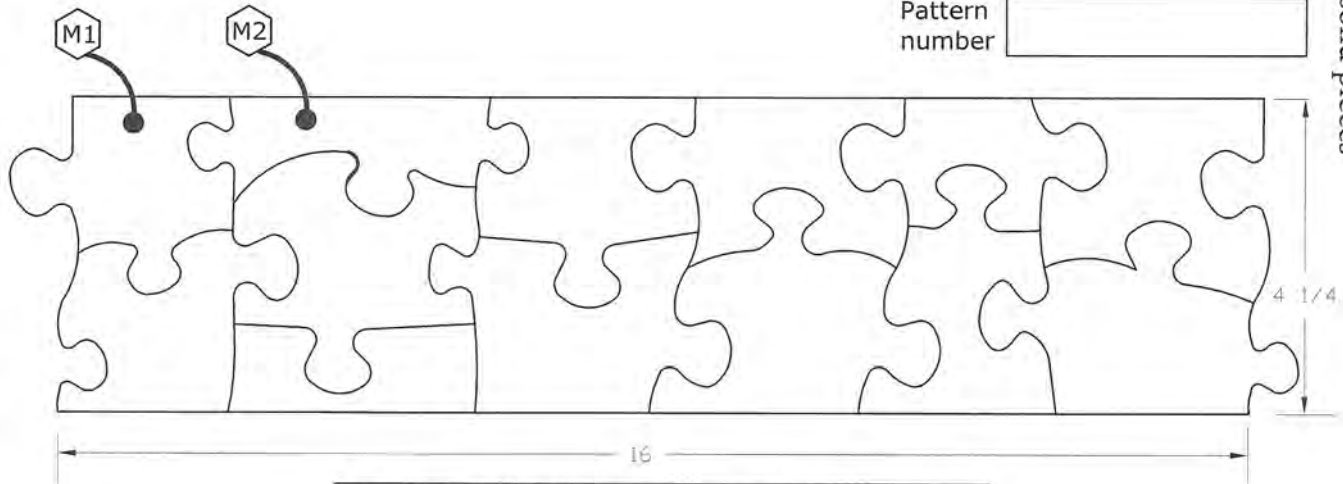
Date: _____ P.O. number: _____

M1 Material _____ Pol Hon

M2 Material _____ Pol Hon

Special Requests: _____

Pattern number



Available in Waterjet Cut only.

Linear Footage Required: _____ NOTE: We will calculate the number of meshed units for you

Price Quoted

Your Cost per
Linear Ft. \$

Date: _____

Customer Service Phone 914-654-0489 Fx 914-654-9033

Quote Request



Sea Life BORDER

Sea Life BORDER Available Mosaic and WaterJet Cut

Company Name: _____ Phone: _____

Your Name: _____ Fax number: _____

Date: _____ P.O. number: _____

M1 Material _____ Pol Hon Tum

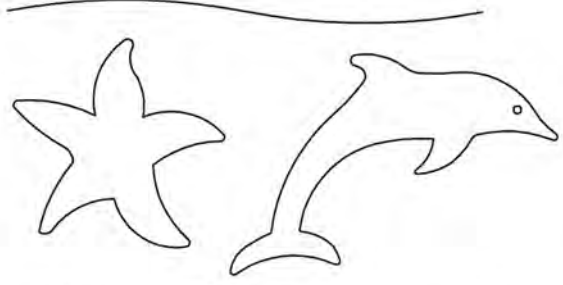
M2 Material _____ Pol Hon Tum

M3 Material _____ Pol Hon Tum

M4 Material _____ Pol Hon Tum

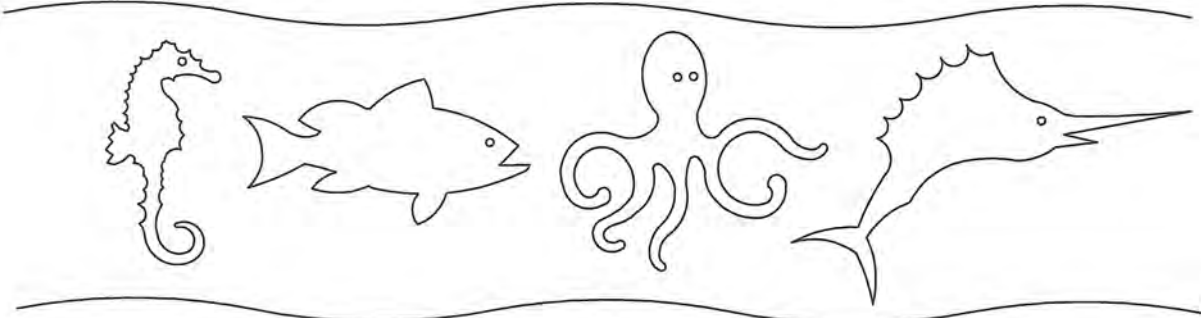
Special Requests: _____

Pattern number _____



Specify Creature Materials and Border Width (3" min.)

Want just one or two creatures? No problem!
Let us know what you want!



WaterJet Cut version shown, Also available in Mosaic combinations.

Linear Footage Required: _____ NOTE: We will calculate the number of meshed units for you

Price Quoted
Your Cost per Linear Ft. \$ _____ Date: _____

Customer Service Phone 914-654-0489 Fx 914-654-9033

Quote Request



Sunrise BORDER

Sunrise BORDER Mosaic version shown, Waterjet Available

Company Name: _____ Phone: _____

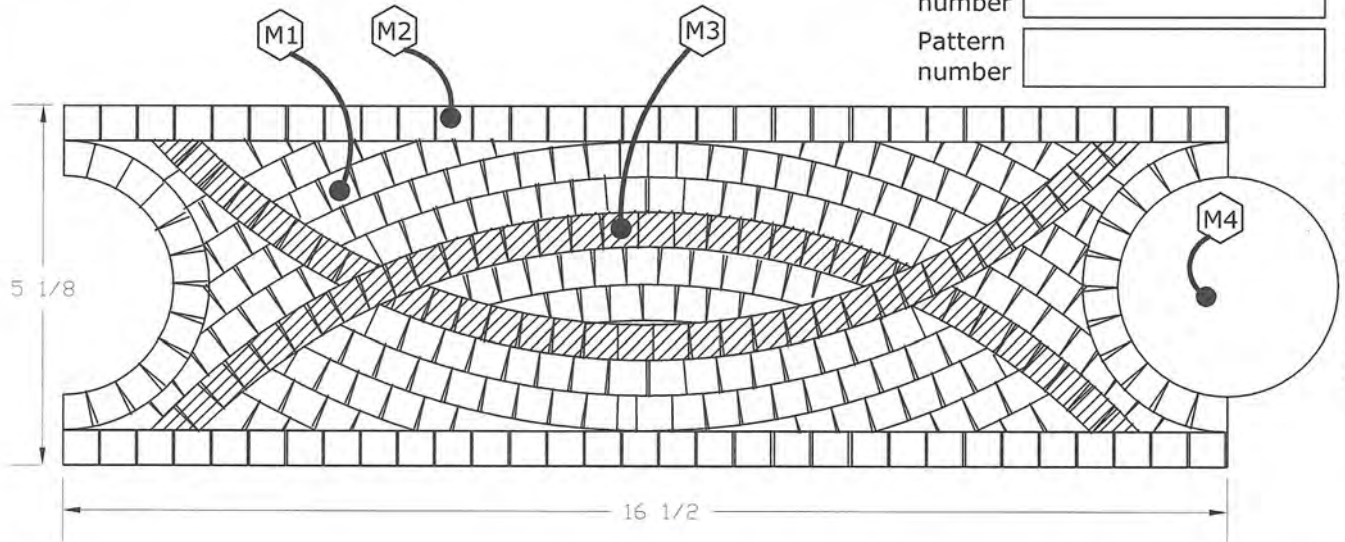
Your Name: _____ Fax number: _____

Date: _____ P.O. number: _____

- M1 Material _____ Pol Hon Tum
- M2 Material _____ Pol Hon Tum
- M3 Material _____ Pol Hon Tum
- M4 Material _____ Pol Hon Tum

Special Requests: _____

Pattern number _____
Pattern number _____



Mosaic version shown, Also available in Waterjet Cut solid pieces.

Linear Footage Required: _____ NOTE: We will calculate the number of meshed units for you

Price Quoted

Your Cost per
Linear Ft. \$

Date: _____

Customer Service Phone 914-654-0489 Fx 914-654-9033

Quote Request



Tribal BORDER

Tribal BORDER Available Mosaic and WaterJet Cut

Company Name: _____ Phone: _____

Your Name: _____ Fax number: _____

Date: _____ P.O. number: _____

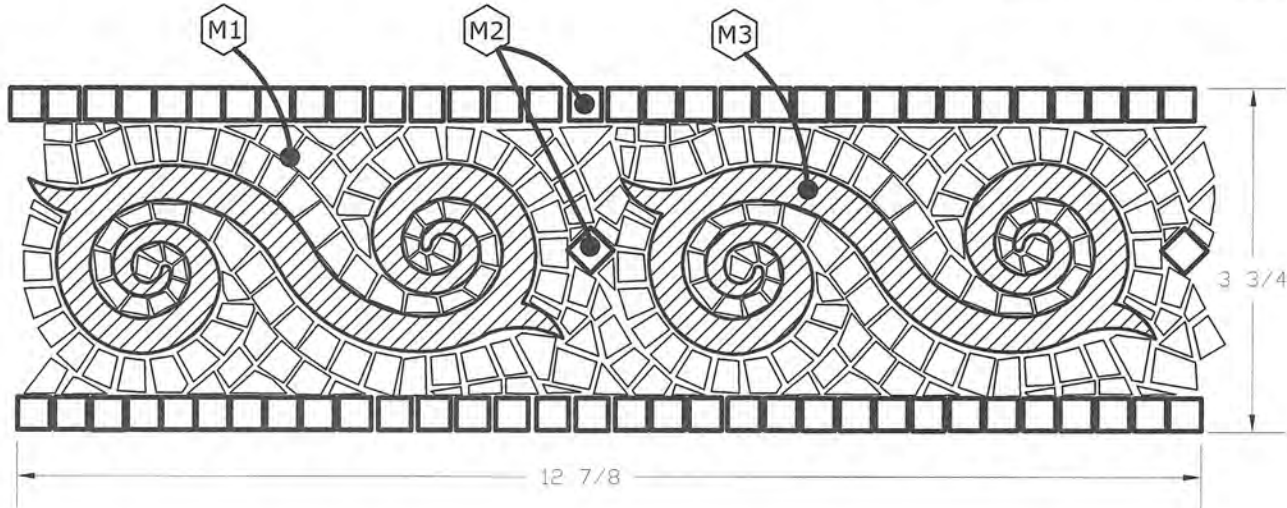
Special Requests: _____

M1 Material _____ Pol Hon Tum

M2 Material _____ Pol Hon Tum

M3 Material _____ Pol Hon Tum

Pattern number _____



Mosaic / WaterJet version shown, Also available in Waterjet Cut solid pieces and Mosaic versions.

Linear Footage Required: _____ NOTE: We will calculate the number of meshed units for you

Price Quoted

Your Cost per Linear Ft. \$

Date: _____

Customer Service Phone 914-654-0489 Fx 914-654-9033

Quote Request



Versaille BORDER (Corner Available)

Versaille
BORDER (Corner Available)

Company Name: _____ Phone: _____

Your Name: _____ Fax number: _____

Date: _____ P.O. number: _____

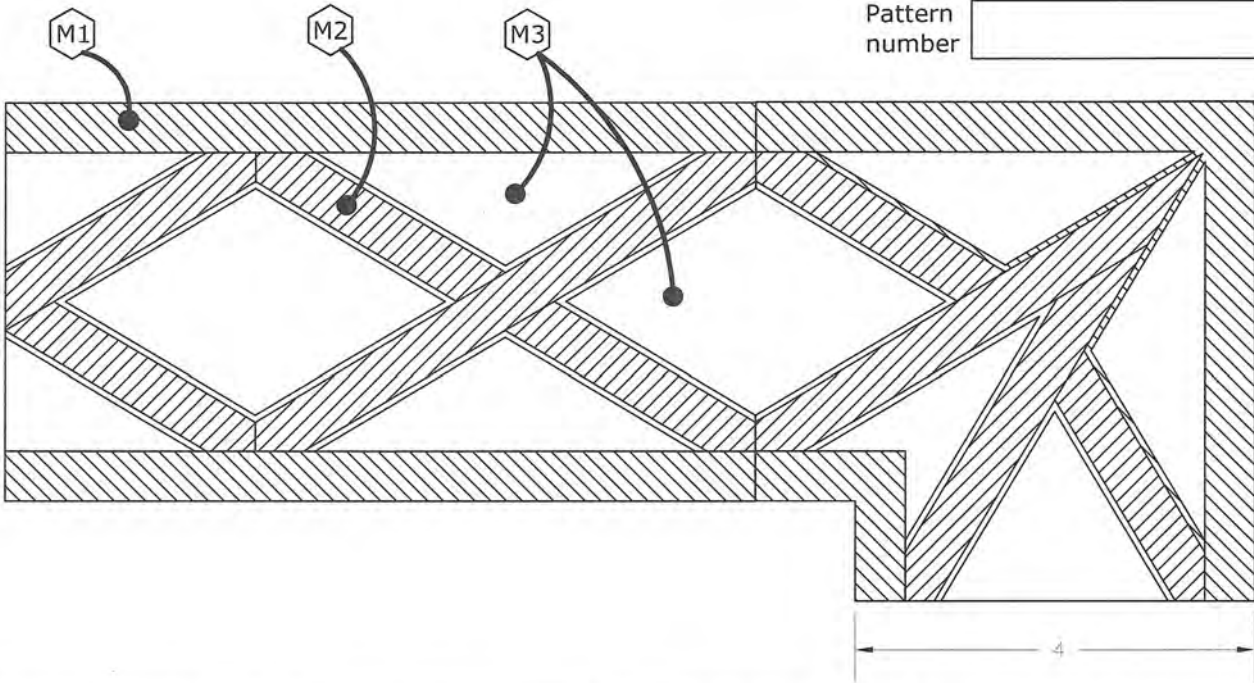
Special Requests:

M1 Material _____ Pol Hon Tum

M2 Material _____ Pol Hon Tum

M3 Material _____ Pol Hon Tum

Pattern number _____



Available Mosaic and Waterjet Cut

WaterJet Cut version shown, Also available in Mosaic combinations.

Linear Footage Required: _____ NOTE: We will calculate the number of meshed units for you

Price Quoted

Your Cost per
Linear Ft. \$

Date: _____

Customer Service Phone 914-654-0489 Fx 914-654-9033

Quote Request



Victorian BORDER Lantern

Victorian Lantern BORDER
Waterjet Cut solid pieces

Company Name: _____ Phone: _____

Your Name: _____ Fax number: _____

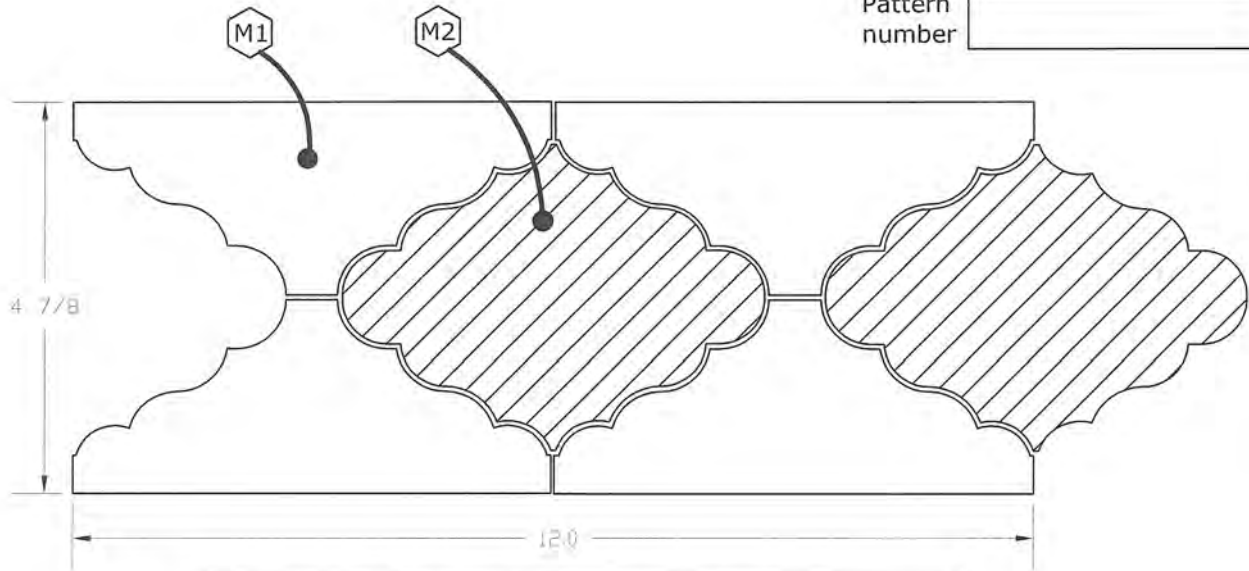
Date: _____ P.O. number: _____

M1 Material _____ Pol Hon Tum

M2 Material _____ Pol Hon Tum

Special Requests: _____

Pattern number _____



Available in Waterjet Cut only.

Linear Footage Required: _____ NOTE: We will calculate the number of meshed units for you

Price Quoted

Your Cost per
Linear Ft. \$

Date: _____

Customer Service Phone 914-654-0489 Fx 914-654-9033

Quote Request



Vienna
Sheeted

Vienna Sheeted Available Mosaic and WaterJet Cut

Company Name: _____ Phone: _____

Your Name: _____ Fax number: _____

Date: _____ P.O. number: _____

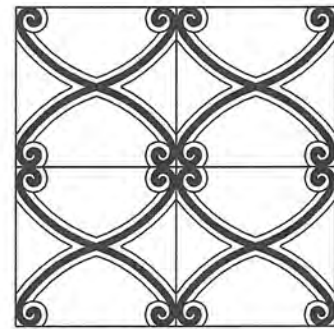
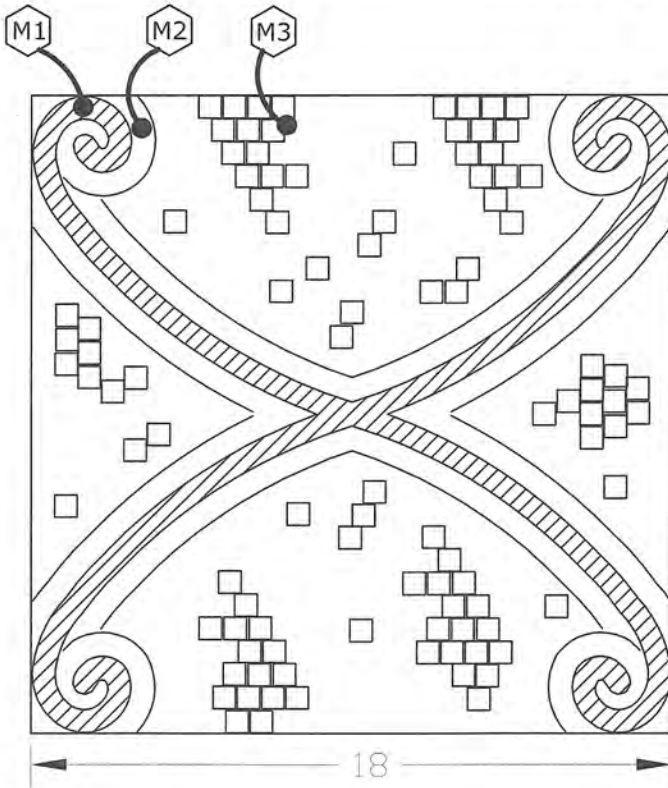
M1 Material _____ Pol Hon Tum

M2 Material _____ Pol Hon Tum

M3 Material _____ Pol Hon Tum

Special Requests: _____

Pattern number _____



Square Footage Required: _____

NOTE: We will calculate the number of meshed units for you

WaterJet / Mosaic shown, Also available in Mosaic combinations.

Price Quoted

Your Cost per
Square Ft. \$

Date: _____

Customer Service Phone 914-654-0489 Fx 914-654-9033

Quote Request



Vienna BORDER

Vienna BORDER Available Mosaic and WaterJet Cut

Company Name: _____ Phone: _____

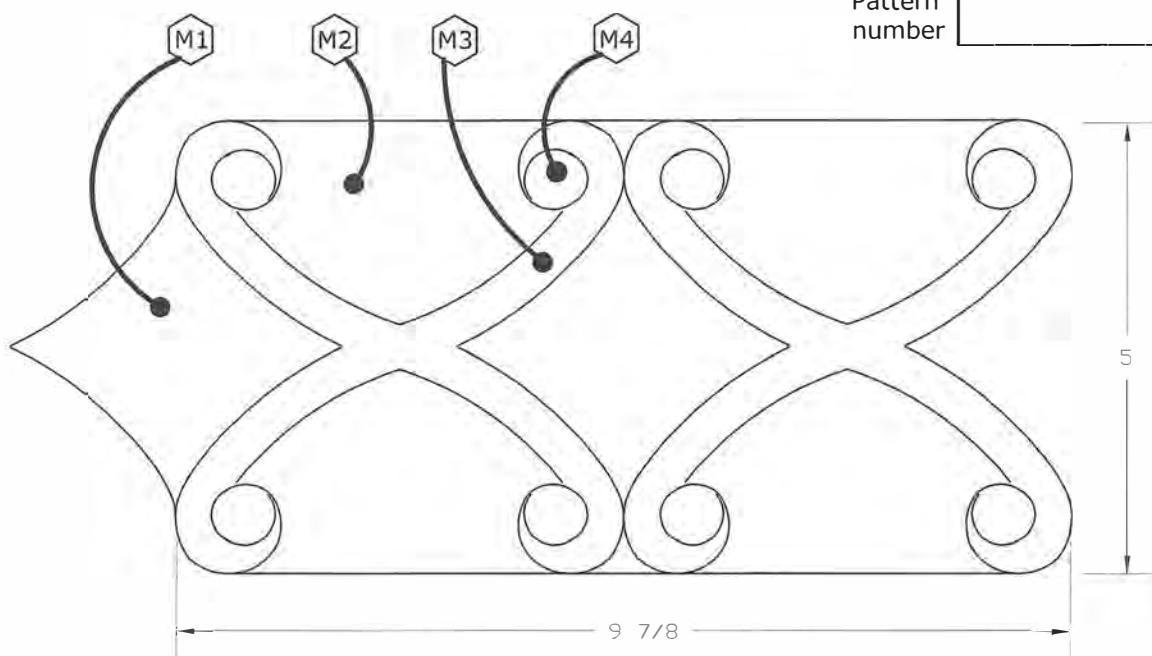
Your Name: _____ Fax number: _____

Date: _____ P.O. number: _____

- M1 Material _____ Pol Hon Tum
- M2 Material _____ Pol Hon Tum
- M3 Material _____ Pol Hon Tum
- M4 Material _____ Pol Hon Tum

Special Requests: _____

Pattern number _____



WaterJet Cut version shown, Also available in Mosaic combinations.

Linear Footage Required: _____ NOTE: We will calculate the number of meshed units for you

Price Quoted

Your Cost per Linear Ft. \$ _____	Date: _____
-----------------------------------	-------------

Customer Service Phone 914-654-0489 Fx 914-654-9033

